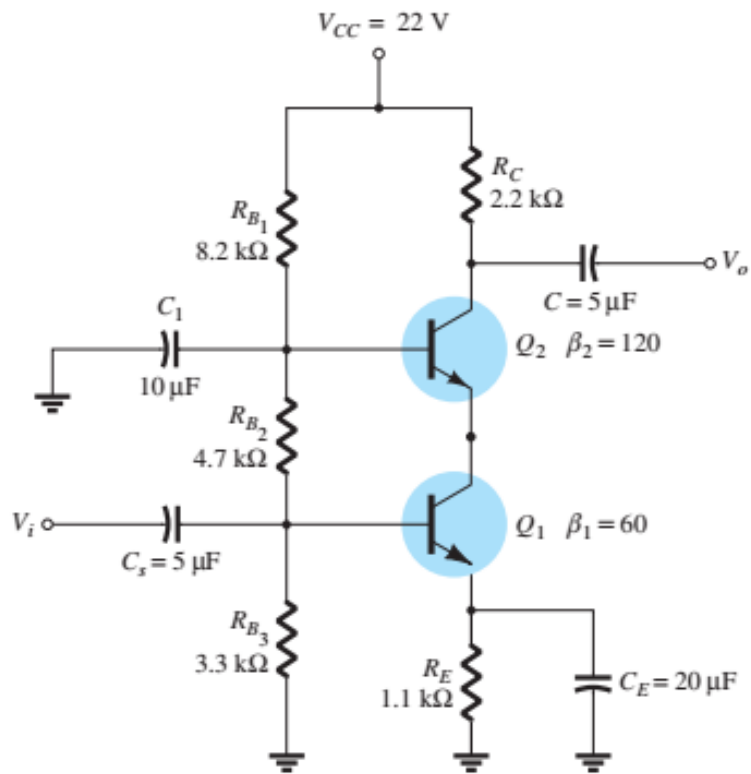


Quez 1

Determine I_C , and V_{CE} for both Q_1 , and Q_2 transistors.



Good Luck,
Dr. Maher Abdelrasoul